



ENTERTAINING AT  
HOUSTON COUNTRY CLUB





Dear Members and Guests,

Welcome and thank you for your interest in private entertaining at Houston Country Club.

We are extremely pleased to introduce you to our beautiful and exciting new spaces. Ensuring the success of your special event, from beginning to end, is our priority, and Houston Country Club's Special Events and Catering Team will accompany you every step of the way. As you browse through this private entertaining guide, our hope is that you are better able to envision your event in one of our many venues. While we have incorporated many details within this guide to help you plan your event, please know that the Club's Special Events and Catering Team is always available to help execute your vision with precision and elegance.

The standards of excellence set forth by Houston Country Club well over 100 years ago are still in place today, and Houston Country Club is thrilled that you have looked to us to provide the perfect setting for your non-profit events, weddings, corporate functions, and other celebratory occasions.

Thank you for trusting us with your special event. Please feel free to reach out to our team with any questions.

All Our Best,

**Houston Country Club  
Special Events and Catering Team**

Special Events and Catering Office  
Tuesday–Saturday | 8:30 AM–5:00 PM | 713.465.8381

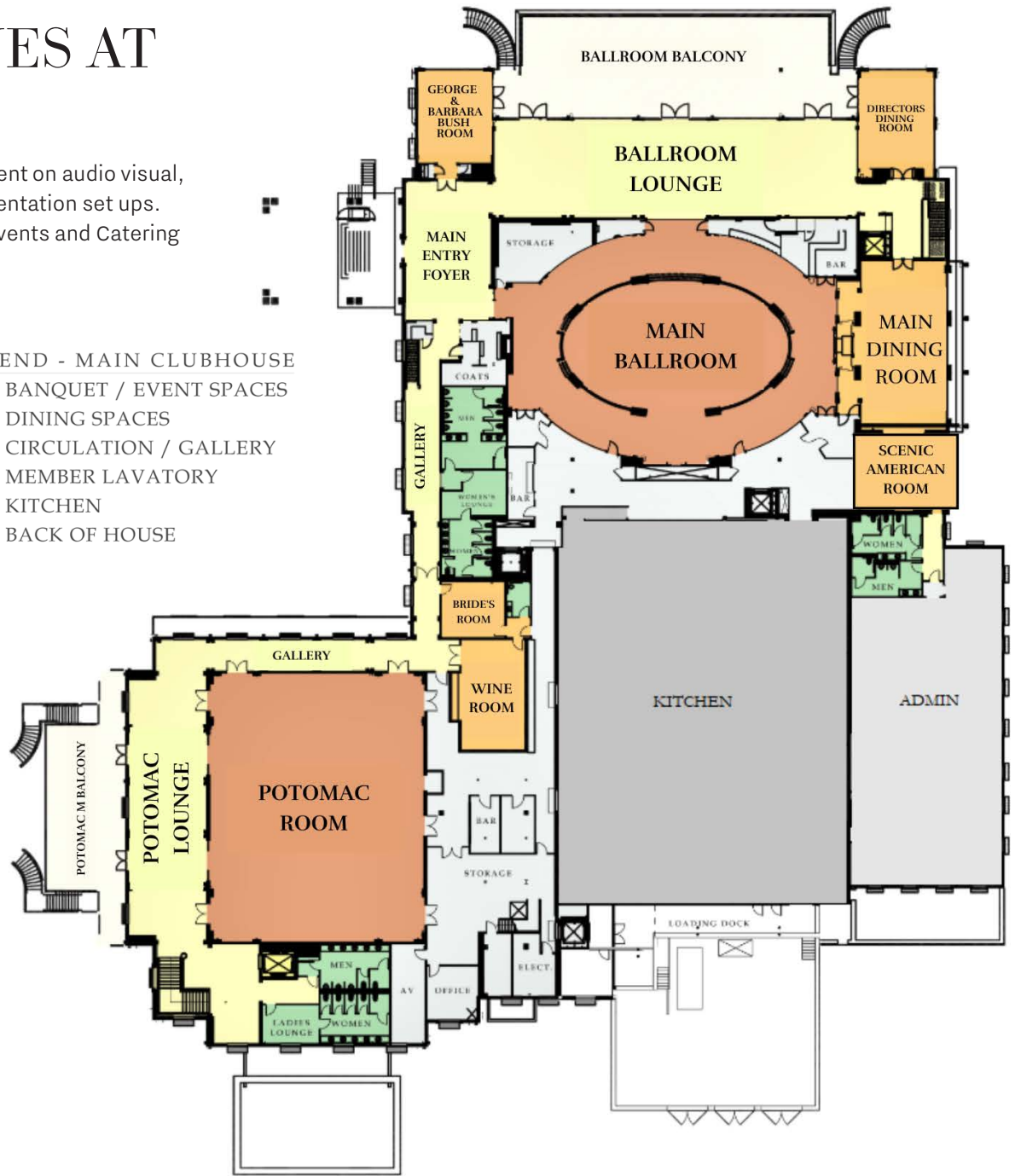


# OUR VENUES AT A GLANCE

These capacities are dependent on audio visual, food and beverage, and presentation set ups. Please contact the Special Events and Catering Team for inquiries.

## LEGEND - MAIN CLUBHOUSE

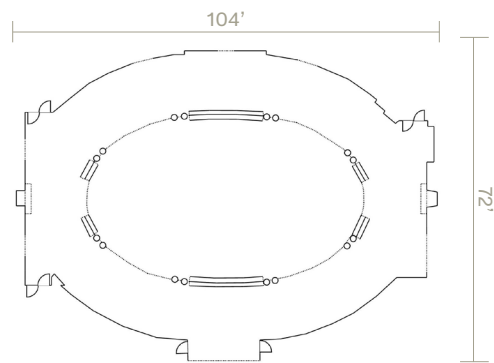
- BANQUET / EVENT SPACES
- DINING SPACES
- CIRCULATION / GALLERY
- MEMBER LAVATORY
- KITCHEN
- BACK OF HOUSE



ROOM	SQ FT	WxLxH	THEATER	CLASSROOM	U SHAPE	ROUNDS OF 10	RECEPTION
Main Ballroom	7,488	72' x 104' x 16'	330	100	x	330	600+
Ballroom Balcony	2,811	30' x 92'	x	x	x	160	250
Potomac Room	4,898	79' x 62' x 14'	390	100	x	250	300
Potomac 1	1,922	31' x 62' x 14'	100	48	45	100	125
Potomac 2	2,976	48' x 62' x 14'	180	72	50	125	200
Potomac Balcony	1,817	23' x 79'	x	x	x	70	150
Wine Room	576	18' x 32' x 10'	x	x	x	x	x
Bride's Room	288	18' x 16' x 16'	x	x	x	10	20
George and Barbara Bush Room	636	27' x 22' x 16'	x	x	15	40	40
Directors' Dining Room	725	27' x 22' x 16'	70	30	25	50	50
Main Dining Room	1,647	32' x 51' x 16'	150	60	35	100	100
Scenic American Room	545	25' x 22' x 16'	x	x	x	40	40

\*The custom Wine Room table can comfortably seat up to 20 people

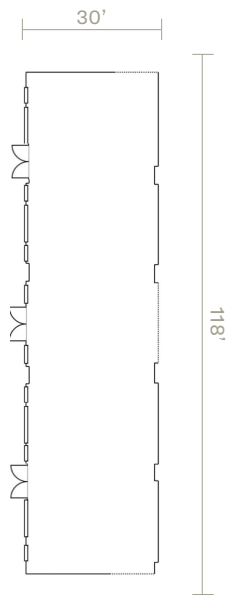
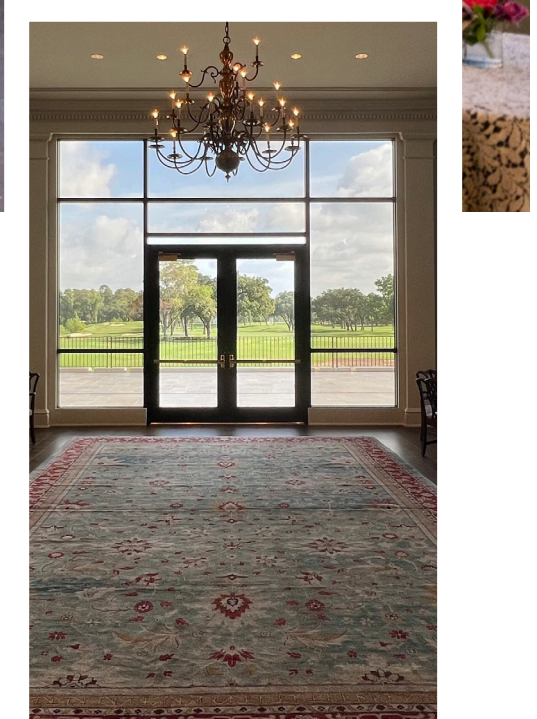
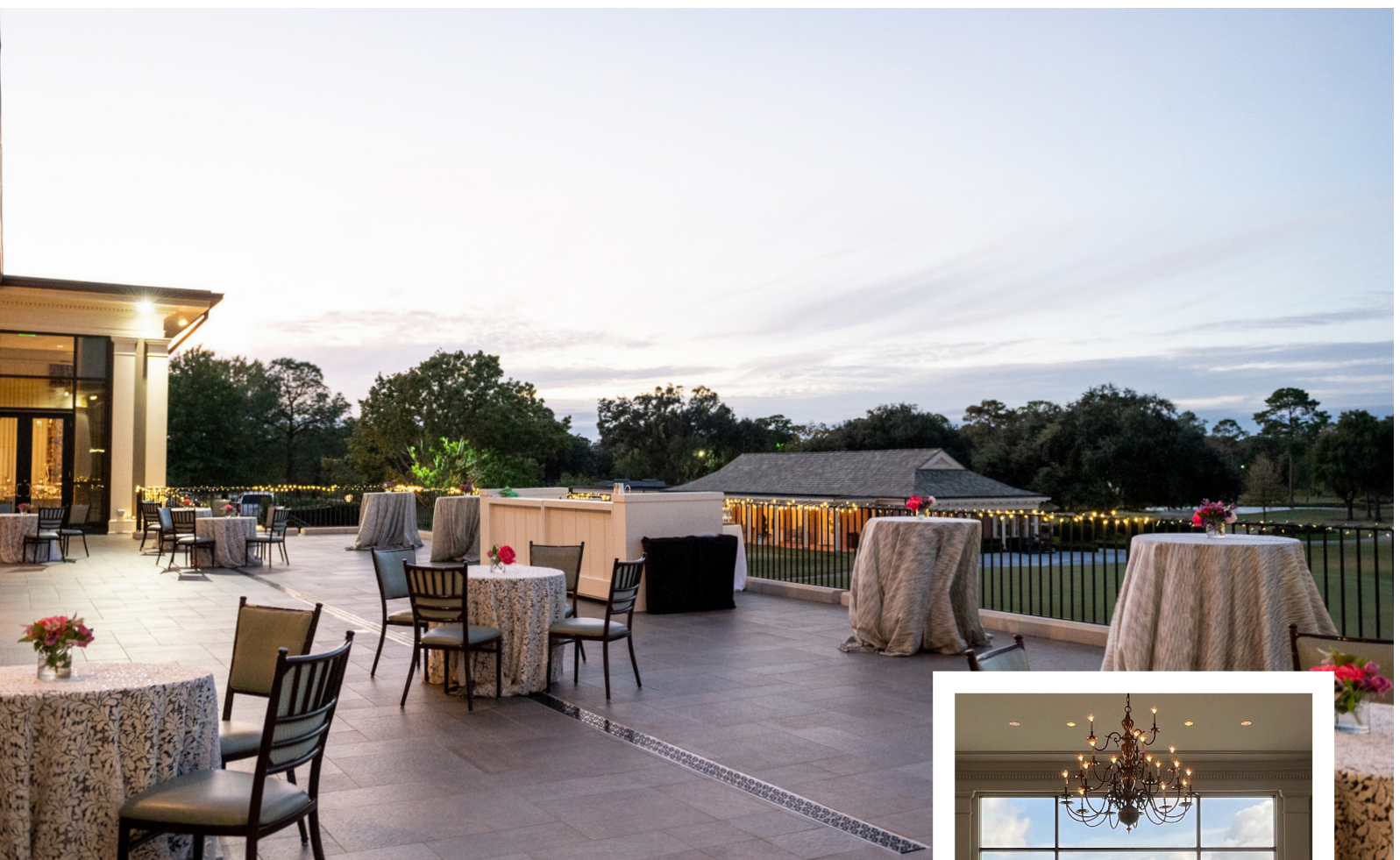




## MAIN BALLROOM

With its oval shape, slate blue silk wall coverings, and crystal chandeliers, the Ballroom has long been a cherished and traditional event space at Houston Country Club. This Ballroom is a member favorite for social gatherings, corporate meetings, debutante balls, weddings, and other special events. The grandeur of this elegant, timeless space never disappoints.

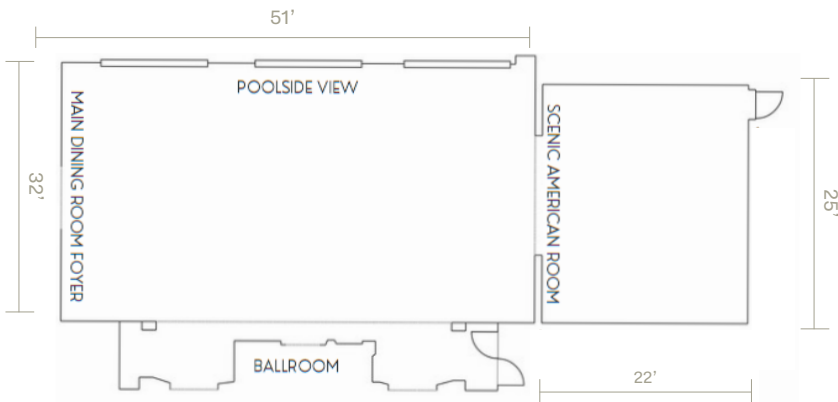




## BALLROOM LOUNGE & BALCONY

The Ballroom Lounge and Balcony are brilliant pre-function spaces that include stunning columns and floor to ceiling windows. With a spectacular view of our golf course, these spaces are perfectly suited for receptions, entertainment, cocktails, and photos.



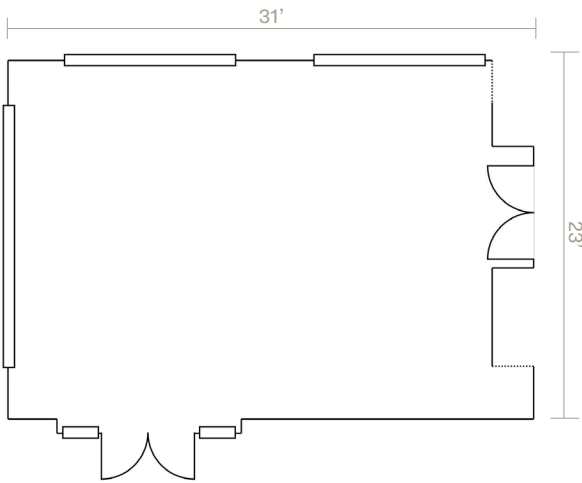


## MAIN DINING ROOM & SCENIC AMERICAN ROOM

The Main Dining Room, in combination with the Scenic American Room, is an ideal space for events hosting 100 guests or less. These rooms can be used in conjunction or separately and both are ideal for cocktail receptions, meetings, and rehearsal dinners.





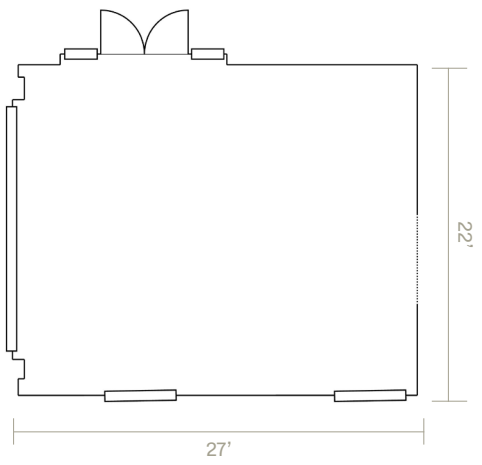


## DIRECTORS' DINING ROOM

The Directors' Dining Room is one of the most sought-after spaces in the Clubhouse. With spectacular views of the golf course, tennis facility, and pool, this room provides the ideal setting for corporate dinners, bridal showers, meetings, and intimate gatherings.



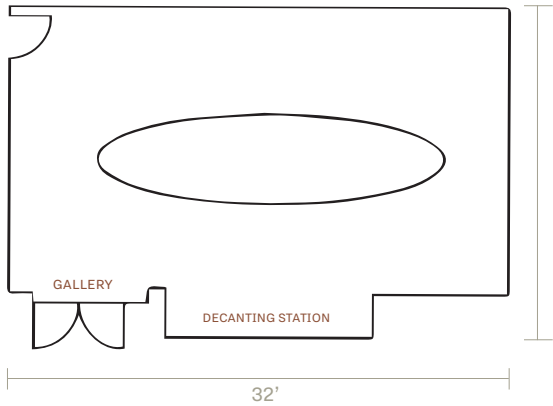




## BARBARA & GEORGE BUSH ROOM

The Barbara and George Bush Room overlooks the putting green and #10 tee box. Similar to the Directors' Dining Room, this space will be reserved for cards and games in the afternoon, and can be used for seated dinners or as a pre-function space for events.





## WINE ROOM

The Wine Room comes complete with high-level finishes, a custom-aged reproduction walnut table with a bronze inlay, one-of-a-kind leather chairs finished with hand-woven Italian fabric, and green lacquered walls. This coveted room is available for formal dinners, birthday celebrations, corporate meetings, and closing dinners.

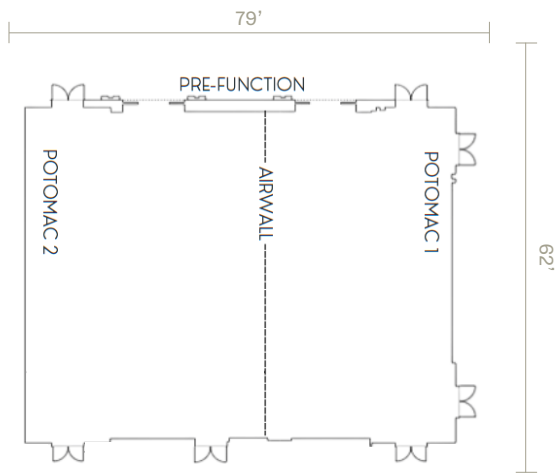




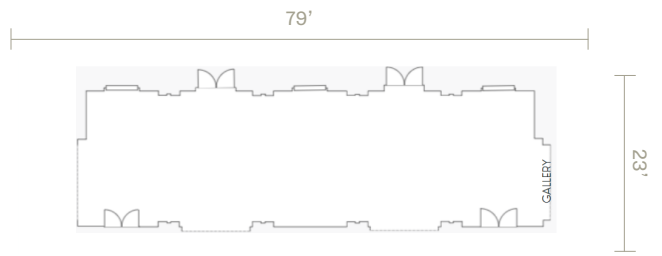


# POTOMAC ROOM

The Potomac Room is easily divisible, readily served, separately accessible, and technologically sophisticated. With a dedicated pre-function space and balcony, members and guests are able to thoroughly enjoy every aspect of the event.







## POTOMAC LOUNGE & BALCONY

The Potomac Lounge and Balcony spaces are the perfect locations to host a cocktail hour before dinner or to set up a check-in location for a luncheon. This beautiful space reflects the attention to detail throughout the Potomac Room, including the Gracie wallpaper. The Potomac Lounge and Balcony are booked in conjunction with the Potomac Room as a pre-function space. Both of these lovely areas are available as auxiliary spaces, provided that the Potomac Room has not previously been reserved.







## EVENT LAWN

The spacious Event Lawn provides 8,800 square feet of perfectly manicured lawn: a blank slate for any event set up. Situated between the pool, golf course, and putting green, the Event Lawn imparts a high-energy atmosphere. The golf course serves as a stunning backdrop for wedding ceremonies, receptions, corporate happy hours, and special events.



# THE FINISHING TOUCHES

## AUDIO VISUAL

Houston Country Club is equipped with state-of-the-art audio and visual equipment—from microphones to screens and projectors to flat-screen TVs. If your event requires additional or specialty AV, our Special Events and Catering Team can assist with booking any special requirements.



## FOOD AND BEVERAGE

Thrill any guest with food and beverage finesse. When combined, Riedel crystal wine glasses, a custom cocktail, and a personalized menu all culminate in a memorable affair.



## FLORAL & DECOR

Our in-house floral department can create stunning, custom flower arrangements and centerpieces. Always a conversation starter, these arrangements will add an unforgettable touch to an event or get together of any size.







## INTERESTED IN HOSTING AN EVENT WITH US?

Contact our Special Events and Catering Team with special date and room availability inquiries. Remember, as members of Houston Country Club, you have the ability to sponsor events for your friends, family members, co-workers, and company.

Please reach out to our team for further information. We look forward to seeing you and your guests.